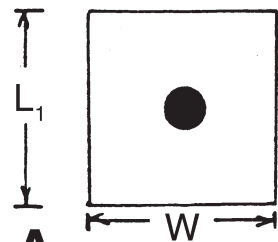
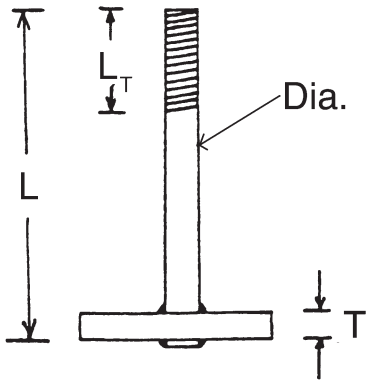
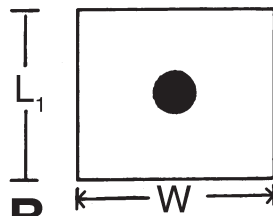
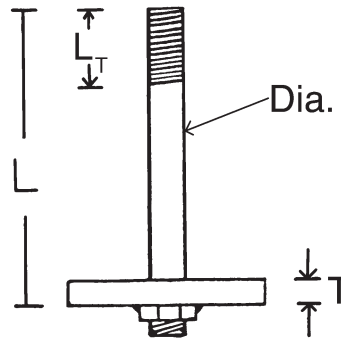




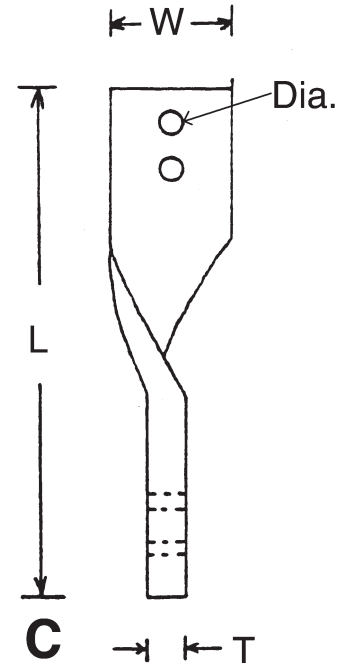
Miscellaneous Steel



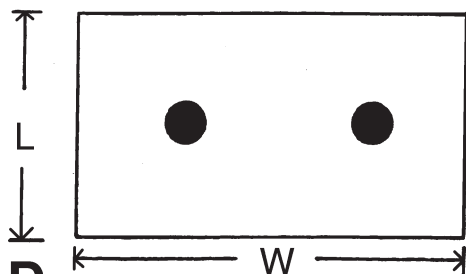
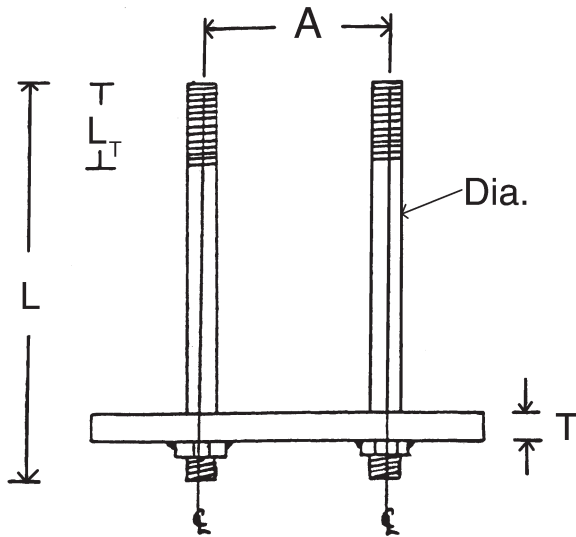
A



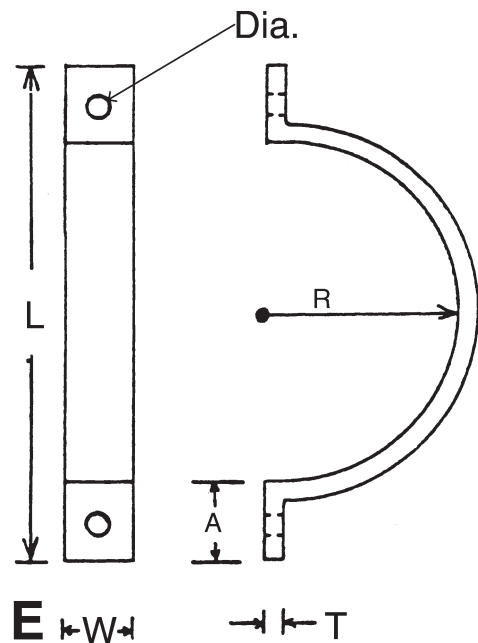
B



C



D



E



Miscellaneous Steel

