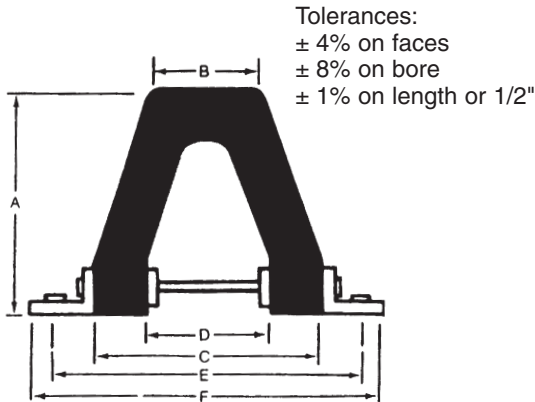




Fenders Types, Sizes, Weights

Delta "A" Series, External Plate



Dimensions in inches, weights in lbs./ft.

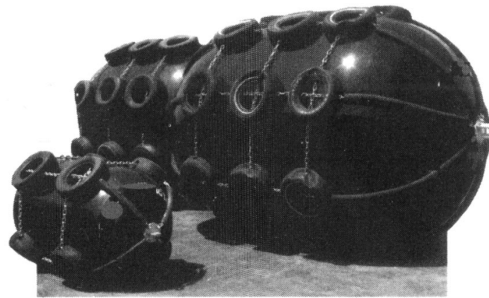
Model	A	B	C	D	E	F	Wt.*
13A	12	7-1/2	13	6-1/2	17	20	47/29
20A	16	10	20	10	25	28	82/34
23A	20	12	23	12	29	33	125/60
28A	24	16	28	14	35	40	192/70

*Rubber/steel.

Dimensions in mm, weights in kg/meter.

Model	A	B	C	D	E	F	Wt.*
13	305	191	330	165	432	508	70/43
20A	406	254	508	254	635	711	122/51
23A	508	305	584	305	737	838	186/89
28A	610	406	711	356	889	1016	285/104

*Rubber/steel.



Fenders

Foam-Filled Fenders With Chain & Tires

Size: Dia. & Length	
English Ft. x Ft.	Metric M x M
3 x 5	.9 x 1.5
3 x 6	.9 x 1.8
3 x 8	.9 x 2.4
3 x 10	.9 x 3.0
3 x 12	.9 x 3.7
4 x 7.4	1.2 x 2.3
4 x 8	1.2 x 2.4
4 x 10	1.2 x 3.0
4 x 12	1.2 x 3.7
4 x 16	1.2 x 4.9
4 x 18	1.2 x 5.5

Size: Dia. & Length	
English Ft. x Ft.	Metric M x M
5 x 10	1.5 x 3.0
5 x 12	1.5 x 3.7
5 x 14	1.5 x 4.3
5 x 16	1.5 x 4.9
5 x 18	1.8 x 5.5
6 x 12	1.8 x 6.1
6 x 14	2.1 x 4.3
6 x 16	2.1 x 4.9
6 x 18	2.1 x 5.5
6 x 20	2.1 x 6.1
7 x 14	2.1 x 6.7

Size: Dia. & Length	
English Ft. x Ft.	Metric M x M
7 x 16	2.4 x 3.7
7 x 18	2.4 x 4.3
7 x 20	2.4 x 4.9
7 x 22	2.4 x 5.5
8 x 12	2.4 x 6.1
8 x 14	2.4 x 6.7
8 x 16	2.7 x 5.5
8 x 18	2.7 x 6.1
8 x 20	2.7 x 6.7
8 x 22	3.0 x 4.9
9 x 18	3.0 x 5.5

Size: Dia. & Length	
English Ft. x Ft.	Metric M x M
9 x 20	3.0 x 6.1
9 x 22	2.7 x 6.7
10 x 16	3.0 x 4.9
10 x 18	3.0 x 5.5
10 x 20	3.0 x 6.1
10 x 22	3.0 x 6.7
11 x 22	3.4 x 6.7
12 x 24	3.7 x 7.3
13 x 26	4.0 x 7.9
14 x 28	4.3 x 8.5