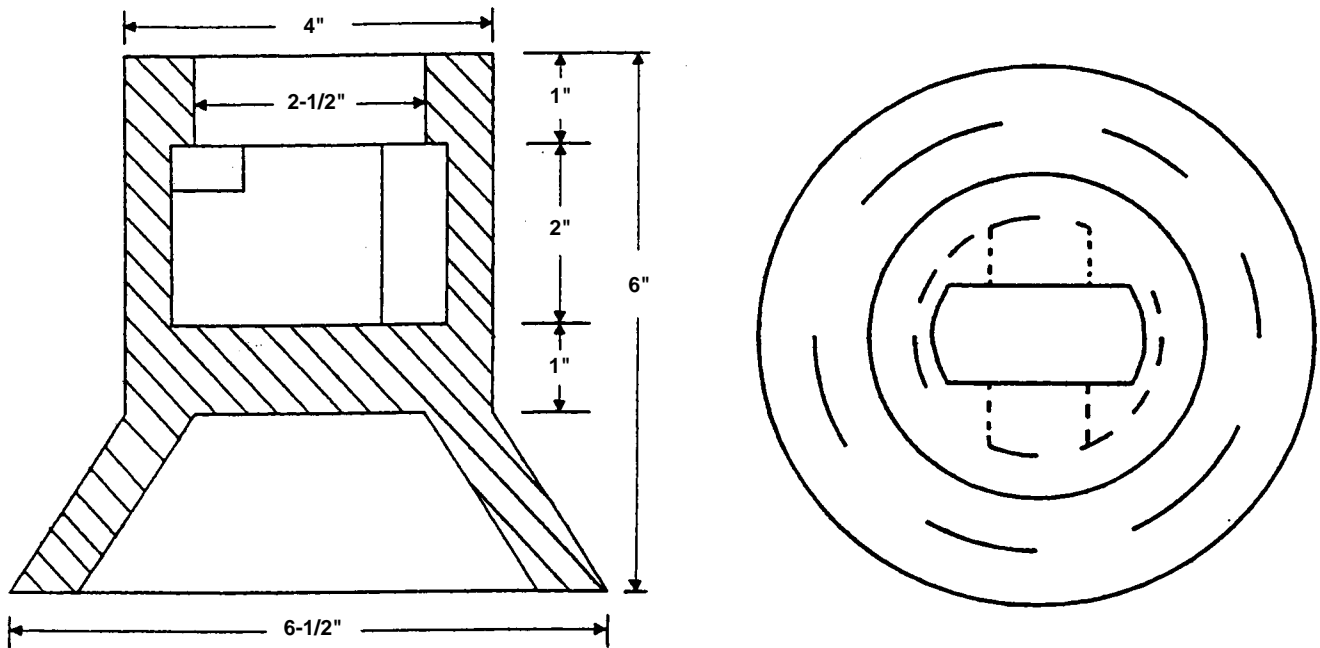
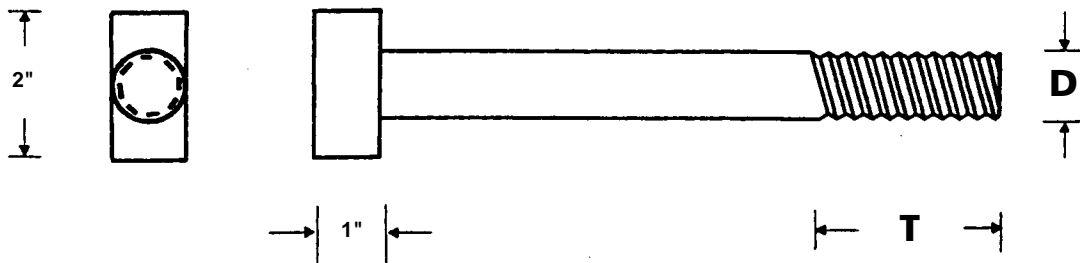




**Tee Head Insert**



**Tee Head Bolts**



**D = Available in 1" ONLY**

**T = Thread Length**

**If you don't see it...ASK!**