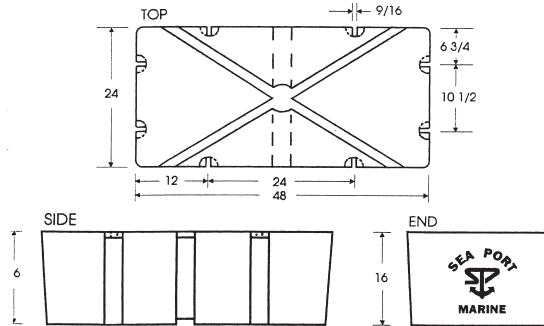




Sea Port 600 Dock Float

Sea Port Floats are rotationally molded for seamless one piece construction. All units are manufactured from linear virgin polyethylene resin containing U.V. ray inhibitors and carbon black pigment to protect against ultraviolet deterioration. The shell is filled with EPS foam bead flotation. It is environmentally safe and will not contaminate the waterways.



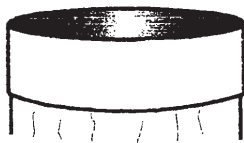
Other Sizes Available

Features:

- Provides 600 lbs. of stable flotation
- Flat top adapts to most dock designs and construction techniques using pre-molded holes for easy installation
- Weight - 37 lbs.
- Environmentally safe
- Tensile Strength - 2,700 psi

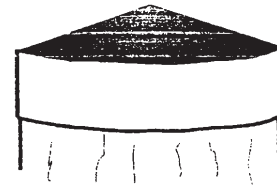
Pile Caps

Round Flat



Round Cone Point

Square Flat

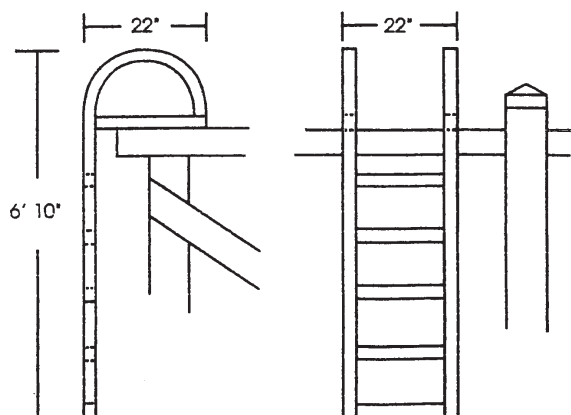


Square Cone Point

- Available in Black Or White
- Caps are manufactured from Low Density Polyethylene and are available in 1/2" increments from 6" to 18"

Aluminum Dock Ladders

5 Step Aluminum Ladder



- Manufactured from 1-1/2" Aluminum Pipe with 2" x 1-1/2" Aluminum Tube Steps
- Available in any length



PermaFloat®

Meets "Army Corps of Engineers" Standards & "Hunt Water Absorption Test"

Float Drums

Flash Dot® Dock Finder

Features

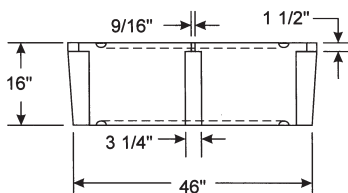
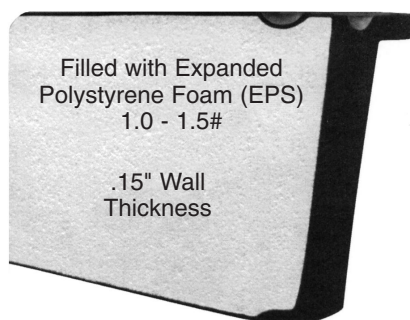
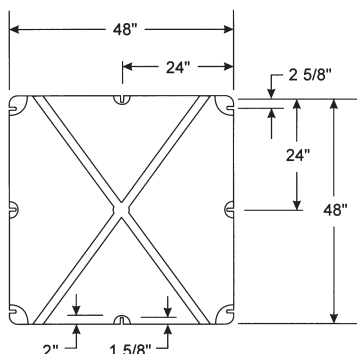
- Rugged, Seamless, Rotationally Molding Encasement
- Expanded Polystyrene (EPS) Foam Filled
- Ten (10) Year Warranty
- Molded Mounting Slots and Pilot Holes
- Maintenance Free
- .150 Nominal Wall Thickness
- Resists Saltwater, Oil, Gas and Marine Life
- Installs Quickly to Wood, Steel or Aluminum Frames
- Threaded Vent Plug
- Meets Corps of Engineers Regulation #36CFR Part 27
- Reflective "FLASH DOT®" Takes the Guess Work Out of Night Docking!

Materials

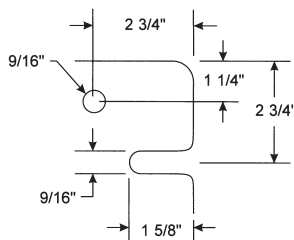
- Virgin Grade Polyethylene Resin with UV Inhibitors
- Virgin Expanded Polystyrene (EPS)

Typical PermaFloat Configuration

(This drawing is for a 48" x 48" x 16" drum)



Corner Detail



We also ship our unique, Reflective "FLASH DOT®" with all float drum orders! "Flash Dot" takes the guess work out of night docking!

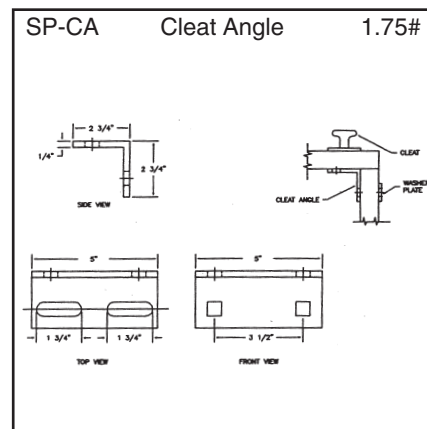
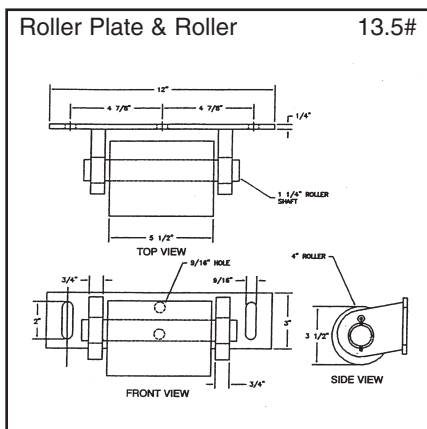
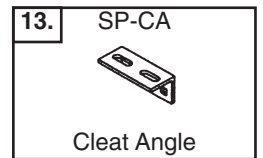
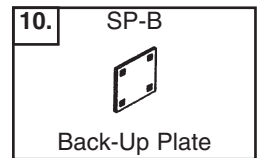
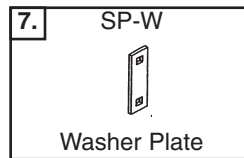
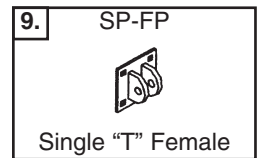
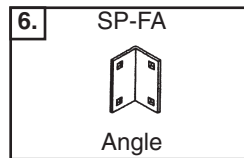
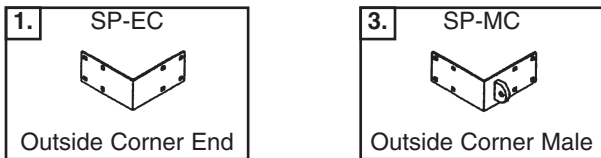
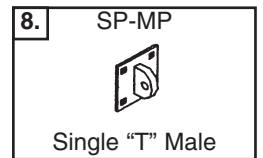
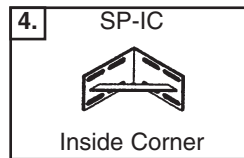
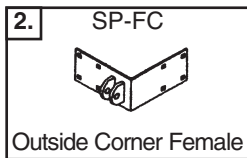
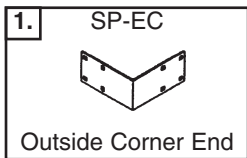
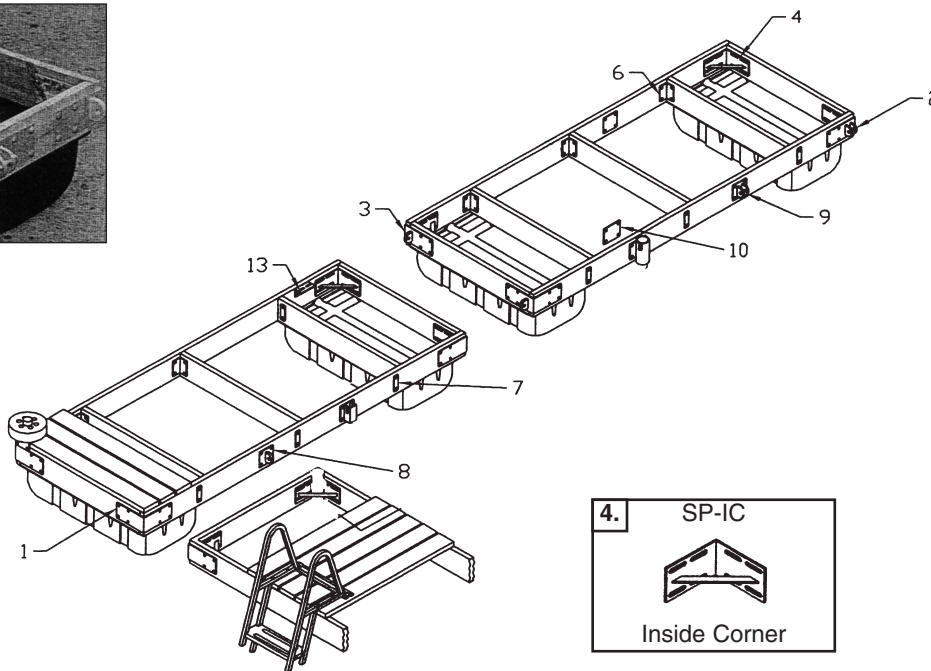
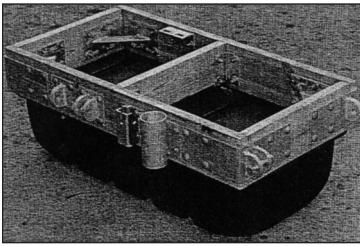
Specifications

SIZE	CU. FT.	WT. (LBS)	BUOYANCY (LBS)
24" x 48" x 12"	8.0	30	450
24" x 48" x 16"	10.7	36	604
24" x 48" x 20"	13.3	41	759
36" x 48" x 12"	12.0	41	679
36" x 48" x 16"	16.0	49	911
36" x 48" x 20"	20.0	57	1143
36" x 72" x 16"	24.0	67	1373
36" x 72" x 20"	38.0	84	1716
48" x 48" x 12"	16.0	52	908
48" x 48" x 16"	21.3	63	1217
48" x 48" x 20"	26.6	74	1526
48" x 72" x 12"	24.0	78	1362
48" x 72" x 16"	32.0	92	1828
48" x 72" x 20"	40.0	105	2295
48" x 96" x 12"	32.0	104	1816
48" x 96" x 16"	42.7	122	2278
48" x 96" x 20"	53.3	143	3057

**For More
Information
Call Us**

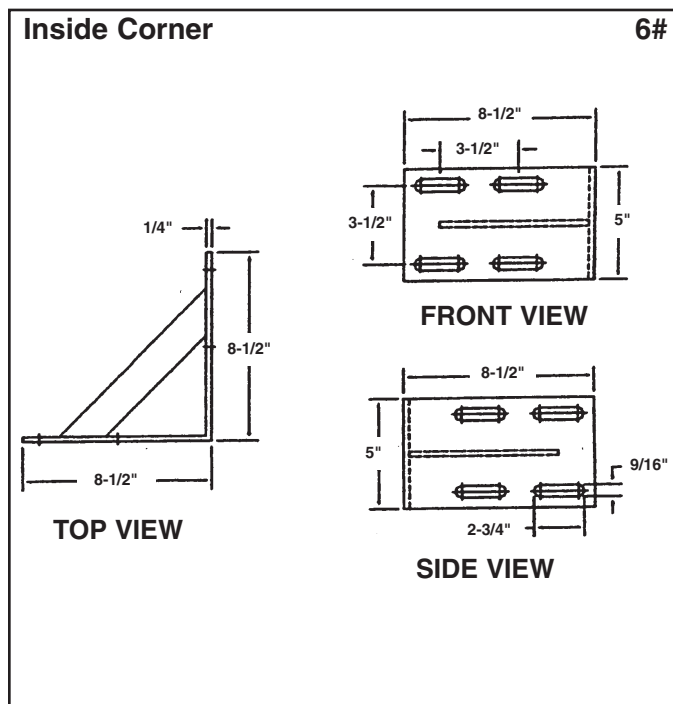
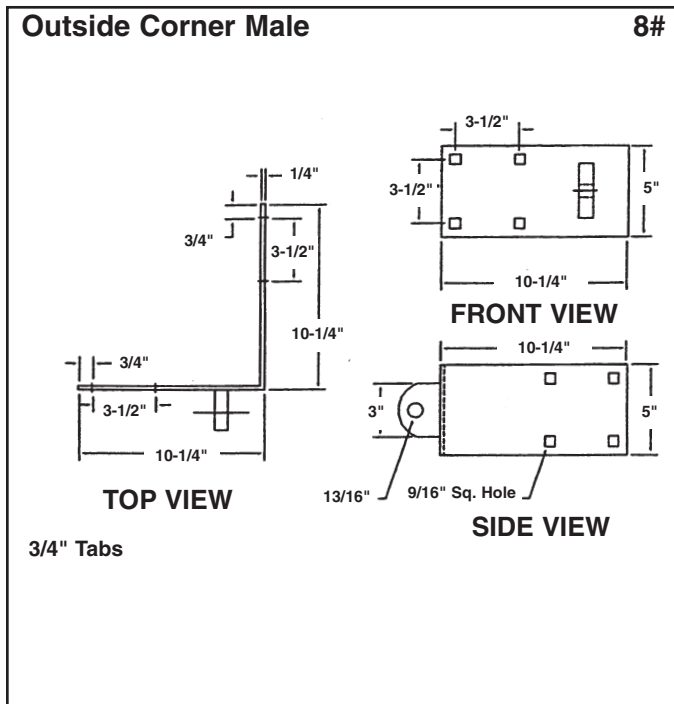
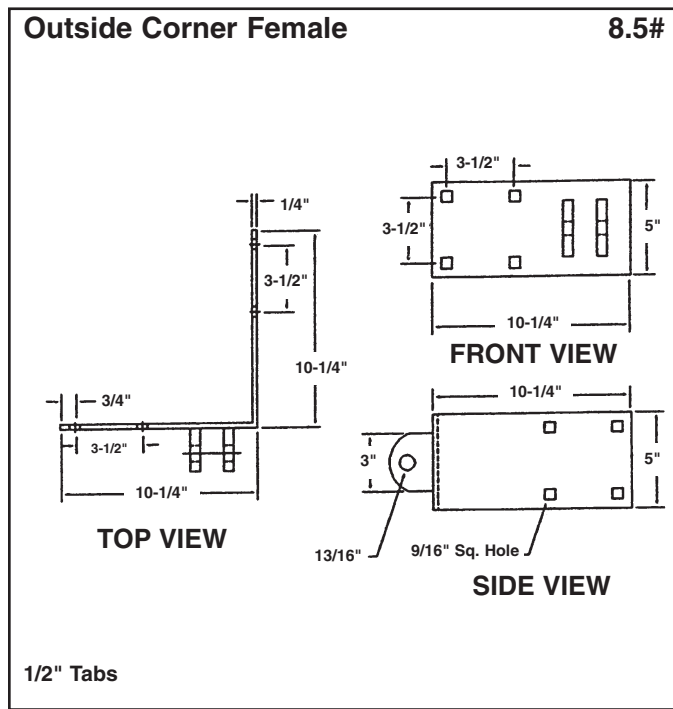
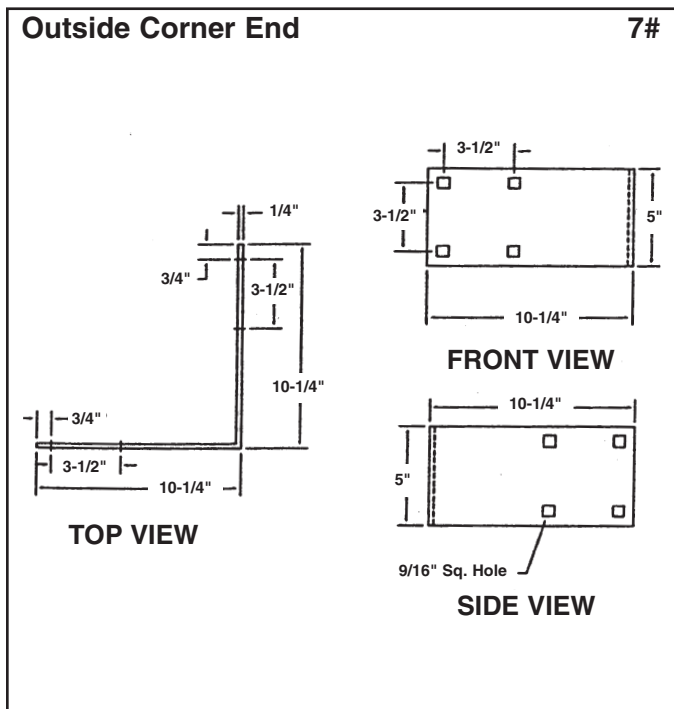


Heavy Duty Wood Dock And Deck Hardware





Heavy Duty Wood Dock And Deck Hardware

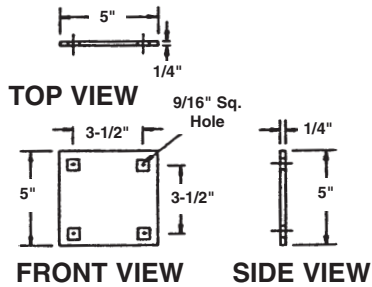




Heavy Duty Wood Dock And Deck Hardware

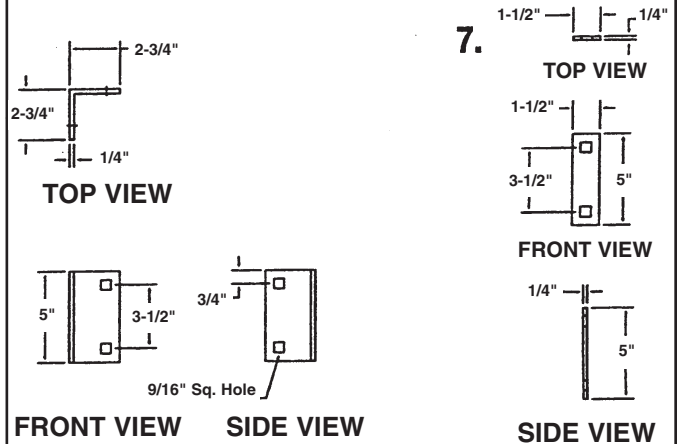
Back-Up Plate

1.75#



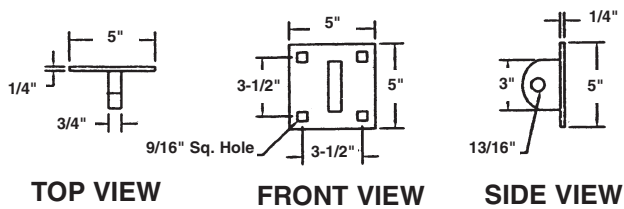
Angle Washer Plate

1.75#
.5#



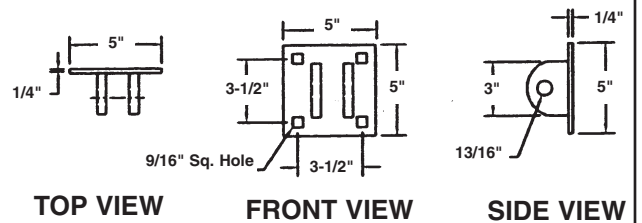
Single "T" Male

3#



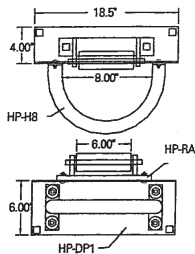
Single "T" Female

3.5#

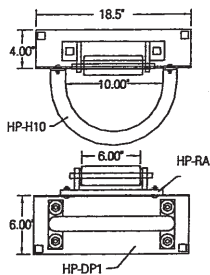




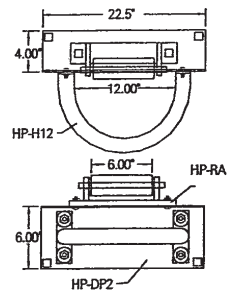
Hoop Pile Holders & Pile Guides



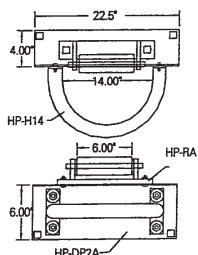
Mfg. No.	Desc.	Ship No.
HP-H8	8" Hoop	8
HP-DP1	Deck Plate	13
H-RA	Roller Assembly	5
HP-H8R	Assembly Complete	26



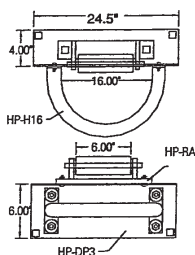
Mfg. No.	Desc.	Ship No.
HP-H10	10" Hoop	9
HP-DP1	Deck Plate	13
H-RA	Roller Assembly	5
HP-H10R	Assembly Complete	27



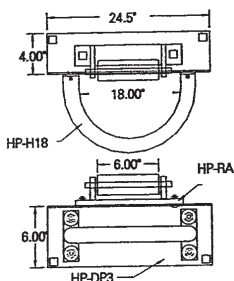
Mfg. No.	Desc.	Ship No.
HP-H12	12" Hoop	11
HP-DP2	Deck Plate	16
H-RA	Roller Assembly	5
HP-H12R	Assembly Complete	32



Mfg. No.	Desc.	Ship No.
HP-H14	14" Hoop	12
HP-DP2A	Deck Plate	16
H-RA	Roller Assembly	5
HP-H14R	Assembly Complete	33

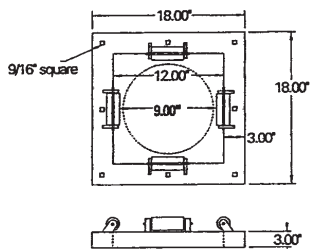


Mfg. No.	Desc.	Ship No.
HP-H16	16" Hoop	14
HP-DP3	Deck Plate	18
H-RA	Roller Assembly	5
HP-H16R	Assembly Complete	37

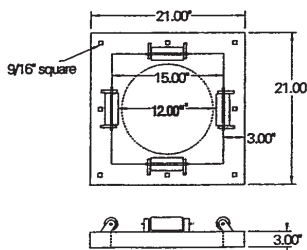


Mfg. No.	Desc.	Ship No.
HP-H18	18" Hoop	14
HP-DP3	Deck Plate	18
H-RA	Roller Assembly	5
HP-H18R	Assembly Complete	37

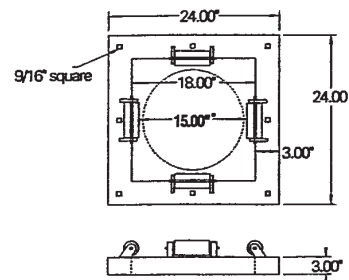
The internal square pile holders are made from 3" x 3" x 1/4" angle and have four 6" rollers included. The pile holder is hot dipped galvanized after fabrication. The R denotes 1 side removable.



Mfg. No.	Desc.	Ship No.
HP-9 IN	Square Pile Holder	34
HP-9 INR	Square Pile Holder	35



Mfg. No.	Desc.	Ship No.
HP-12 IN	Square Pile Holder	37
HP-12 INR	Square Pile Holder	38



Mfg. No.	Desc.	Ship No.
HP-15 IN	Square Pile Holder	48
HP-15 INR	Square Pile Holder	49

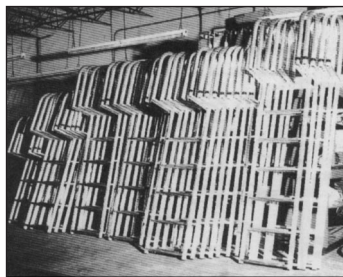


Ladders



- Constructed from marine grade aluminum 1-1/4" I.D. 6063 T-5 aluminum pipe
- Welded for strength - extruded aluminum channels are serrated to produce a non-skid surface with no sharp edges
- Use as either a dock or seawall ladder

- Standard ladder sizes are 3, 4, 5, 6 and 7 step models - large inventory maintained
- Custom sizes and heavy duty (1-1/2" I.D. aluminum pipe) ladders upon request



Dock Bumpers

End Bumper



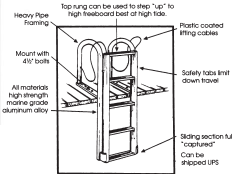
Flush Bumper

- Cost effective bumper for small to medium sized boats
- This fender will not mark or discolor boats
- Standard color is white - also available in other colors
- Easy to install

The Original "Lifting Ladder"

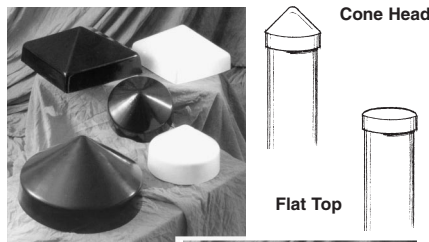


- 250 pound capacity
- Distance from dock to bottom rung - 2' retracted, 5' extended (2' retracted - 7' extended for 7 rung model)
- 6063 marine grade alloy to resist corrosion



- All welded construction
- Interior hand rail spacing - 17"
- Custom lengths available

Piling Caps



- Protects pilings from internal rot
- Black and white polyethylene cone or flat caps in 25 sizes
- Available with square bases for concrete pilings

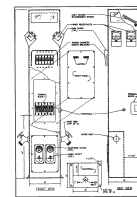
Also available:

- Copper disks (.021 anneal copper) in sizes 10" to 20" for 6" to 16" pilings

Standard Dockside Electrical Pillars



European Power Receptacle With Internally Mounted Water Meters



Typical Line Drawing



Wiring Device-Kellems



SPB-41-4A



SKING FULTON, INC.

Standard features:

- Dimensions: 8" x 8" x 41" (Height)
- Casing: Maximum four receptacles (8 poles)
- Extruded aluminum 6063 with 3/16" wall thickness
- Welded base for extra strength
- All stainless steel fasteners and hinges
- Isolation plate to separate water, telephone and TV from "electrical" (completely waterproof)
- Each receptacle protected by a thermal magnetic circuit breaker
- Marine grade electrical receptacles are available in 20 amp duplex GFI and 20, 30 and 50 amp twist-lock®, 100 amp single and three phase - pin and sleeve
- Electrical distribution block - direct feed - maximum wire size 2Ø
- Plastic three sided lens
- Cone top
- Powder coated white
- 15 year unconditional warranty on structural integrity of casing
- Listed by qualified testing agency

Options:

- Power block - loop feed - maximum wire size 500 MCM cable
- TV/telephone receptacles
- PL-9 fluorescent light and photo cell
- Thermo plastic receptacle covers
- Aluminum covers with receptacle mounted on a 45° down angle
- Electric meters
- Water meters (internally or externally mounted) with locking ball valves
- Hose holders/cable brackets
- European power receptacles
- Flat top
- Natural finish and custom colors available



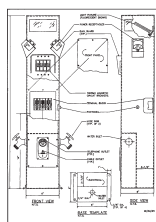
Slim Line Dockside Electrical Pillars



SPC-36-4T



SPC-36-2A



Typical Line Drawing



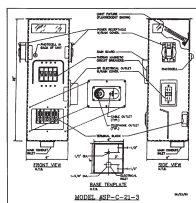
Standard features:

- Dimensions: 6" x 6" x 36" (Height)
- Casing: Maximum four receptacles (6 poles)
- Extruded aluminum 6063 with 1/8" wall thickness
- Welded base for extra strength
- All stainless steel fasteners and hinges
- Isolation plate to separate water, telephone and TV from "electrical" (completely waterproof)
- Each receptacle protected by a thermal magnetic circuit breaker
- Marine grade electrical receptacles are available in 20 amp duplex GFI and 20, 30 and 50 amp twist-lock®
- Electrical distribution block - direct feed - maximum wire size 2Ø
- Plastic three sided lens
- Cone top
- Powder coated white
- 15 year unconditional warranty on structural integrity of casing
- Listed by qualified testing agency

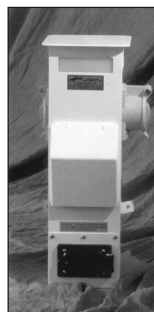
Options:

- Power block - loop feed - maximum wire size 250 MCM cable
- TV/telephone receptacles
- PL-7 fluorescent light and photo cell
- Thermo plastic receptacle covers
- Aluminum covers with receptacle mounted on a 45° down angle
- Electric meters
- Water meters externally mounted with locking ball valves
- Hose holders / cable brackets
- European power receptacles
- Flat top
- Natural finish and custom colors available

Piling Mounted Electrical Power Centers



Typical Line Drawing



SPC-21-3T



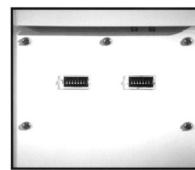
Standard Features:

- Dimensions: 6" x 6" x 21" (Height)
- Casing: Maximum three receptacles (6 poles)
- Extruded aluminum 6063 with 1/8" wall thickness
- All stainless steel fasteners and hinges
- Each receptacle protected by a thermal magnetic circuit breaker
- Marine grade electrical receptacles are available in 20 amp duplex GFI and 20, 30 and 50 amp twist-lock®
- Electrical distribution block - direct feed - maximum wire size 2Ø
- Plastic three sided lens
- Thermo plastic receptacle covers
- Flat top
- Brackets for either round or square piling
- Powder coated white
- 15 year unconditional warranty on structural integrity of casing
- Listed by qualified testing agency

Options:

- Power block - loop feed - maximum 2Ø wire
- TV/telephone receptacles
- PL-7 fluorescent light and photo cell
- Cone top
- Natural finish and custom colors available

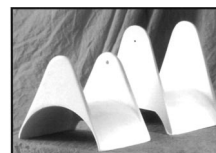
Dockside Electrical Pillars (Options)



Electric Kilowatt Meters



Water Meters



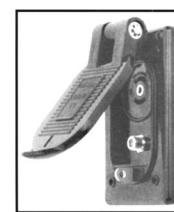
Hose Holder/Cable Bracket



Hose Faucets



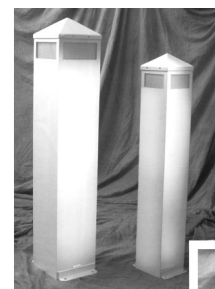
100 Amp - Pin And Sleeve



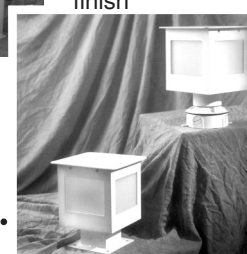
TV/Telephone Lockable Receptacles



Dockside Lighting



Bollard Styles (LB-B)



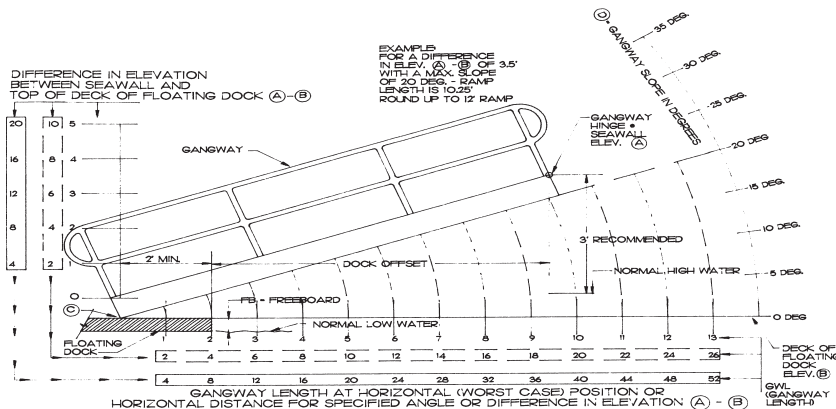
Cage Styles (LB-C)



- Free standing or post mounted
- Distributes light through plastic windows (360° light)
- All aluminum casing
- Powder coated finish
- Economical fluorescent tube
- Designed and manufactured for use in a corrosive salt water environment
- Lighting listed by qualified testing agency



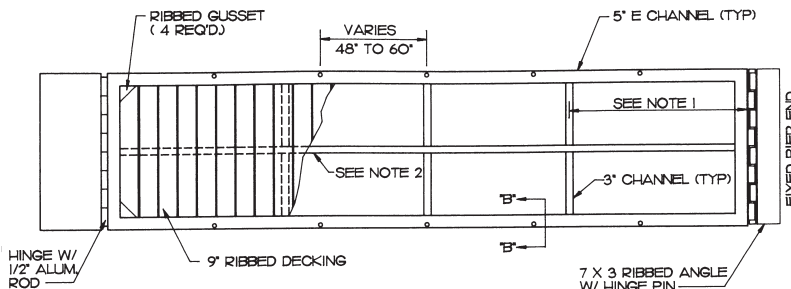
Gangway Data



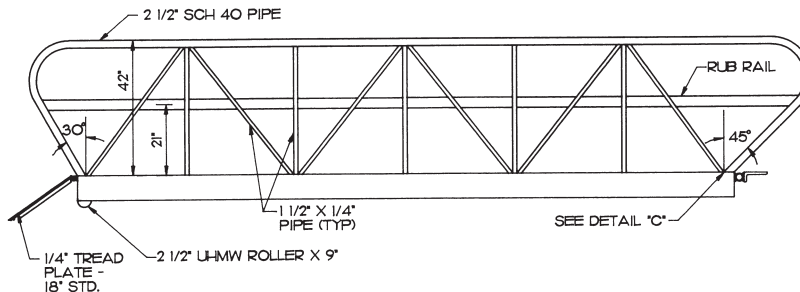
NOTES:

- 1). ELEV. A IS USUALLY AT LEAST 3'-0" ABOVE NORMAL HIGH WATER.
- 2). POINT C SHOULD NOT BE CLOSER THAN 2'-0" OF THE END OF THE FLOATING DOCK AT NORMAL LOW WATER.
- 3). FOR A MAX. SLOPE OF 20 DEG., MIN. GANGWAY LENGTH = $2.93 (A - B)$
- 4). FOR A MAX. SLOPE OF 20 DEG., TRAVEL DISTANCE = $.175 (A - B)$
- 5). FOR A MAX SLOPE OF 20 DEG., MAX., DOCK OFFSET = $(.94 X GWL)-2'$
- 6). GANGWAY SIZING CHART ASSUMES GANGWAY IS FIXED VIA HINGE AT A AND FREE TO MOVE ON WHEELS OR ROLLERS AT C
- 7). GWL - GANGWAY LENGTHS ARE NORMALLY ROUNDED TO THE NEXT HIGHEST EVEN FOOT (18, 20, 22, ETC.) FOR STANDARD SIZES.
- 8). NORMAL FREEBOARD (FB) REQUIREMENTS RANGE FROM 15" - 18" FOR FRESHWATER DOCKS AND 18" - 21" FOR SALTWATER DOCKS, HOWEVER, THIS REQUIREMENT IS VERY SITE AND USE SPECIFIC AND, SUBJECT TO LOCAL CUSTOM.
- 9). APPLICABLE FORMULAS - $GWL - (DIST A - B) / \sin(ANGLE)$ TRAVEL DISTANCE - $GWL - (DIST A - B / \tan(ANGLE))$ DOCK OFFSET - $(\cos(ANGLE) X GWL)-2'$

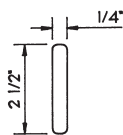
Dura Ramp I



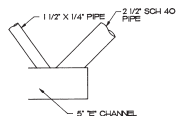
Plan View



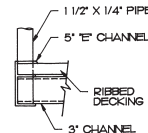
Elevation



Rub Rail



Detail "C"



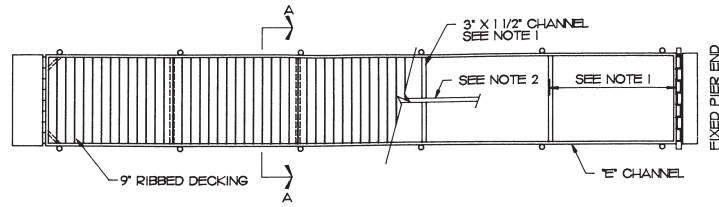
Section B-B

NOTES:

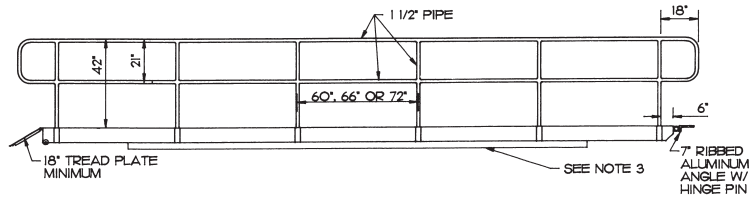
1. VARIES WITH LENGTH OF GANGWAY BUT NOT TO EXCEED 6' O.C.
2. 3" CHANNEL CENTER STRINGER ON GANGWAYS OVER 4' WIDE.
3. STANDARD UNITS ARE FROM 4' TO 6' WIDE & 20' TO 50' LONG. OTHER UNITS PROVIDED UPON REQUEST.



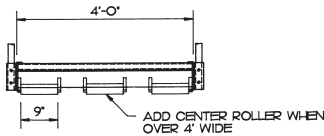
Dura Ramp II



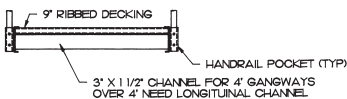
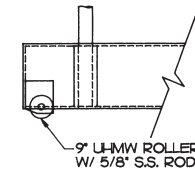
Plan View



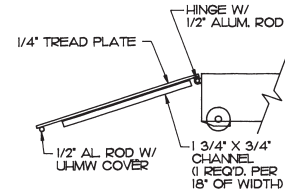
Elevation



Roller Detail



Section A-A

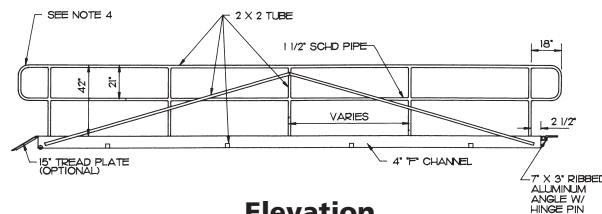


Optional Ramp

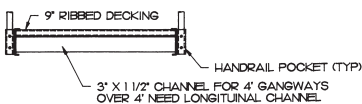
NOTES:

1. VARIES W/ LENGTH & WIDTH OF GANGWAY
2. LONGITUDINAL SIZE DEPENDS ON SIDE MEMBER, CROSS MEMBER & WIDTH OF GANGWAY
3. 2 X 1-1/2" BAR MAY BE REQ'D DEPENDING ON LENGTH & WIDTH OF GANGWAY
4. GAP BETWEEN DECKING IS NOT TO EXCEED 3/8"

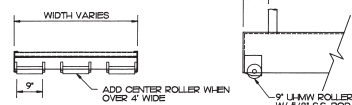
Dura Ramp III



Elevation



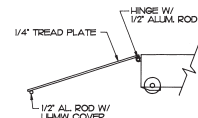
Section A-A



Roller Detail

NOTES:

1. VARIES W/ LENGTH & WIDTH OF GANGWAY
2. MAXIMUM WIDTH IS 6'
3. GAP BETWEEN DECKING IS NOT TO EXCEED 3/8"
4. FABRICATED ENDS MAY BE LEFT OFF AT DESIGNERS REQUEST



Optional Ramp