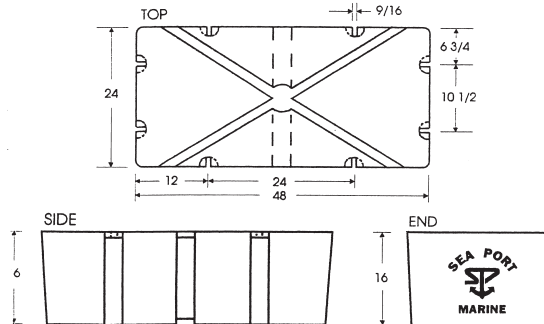




Sea Port 600 Dock Float

Sea Port Floats are rotationally molded for seamless one piece construction. All units are manufactured from linear virgin polyethylene resin containing U.V. ray inhibitors and carbon black pigment to protect against ultraviolet deterioration. The shell is filled with EPS foam bead flotation. It is environmentally safe and will not contaminate the waterways.



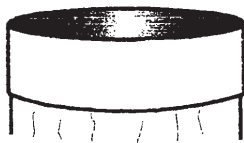
Other Sizes Available

Features:

- Provides 600 lbs. of stable flotation
- Flat top adapts to most dock designs and construction techniques using pre-molded holes for easy installation
- Weight - 37 lbs.
- Environmentally safe
- Tensile Strength - 2,700 psi

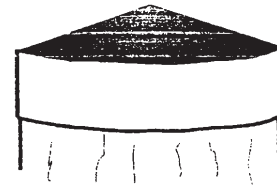
Pile Caps

Round Flat



Round Cone Point

Square Flat

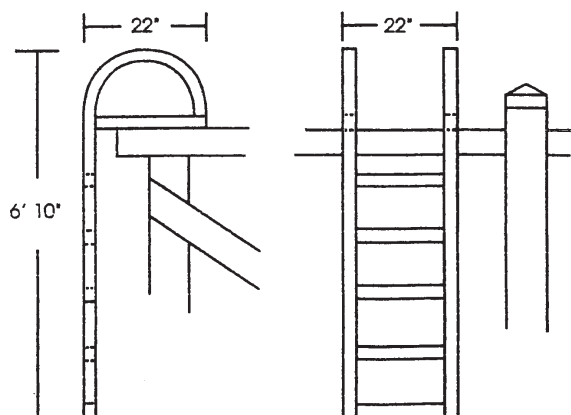


Square Cone Point

- Available in Black Or White
- Caps are manufactured from Low Density Polyethylene and are available in 1/2" increments from 6" to 18"

Aluminum Dock Ladders

5 Step Aluminum Ladder



- Manufactured from 1-1/2" Aluminum Pipe with 2" x 1-1/2" Aluminum Tube Steps
- Available in any length