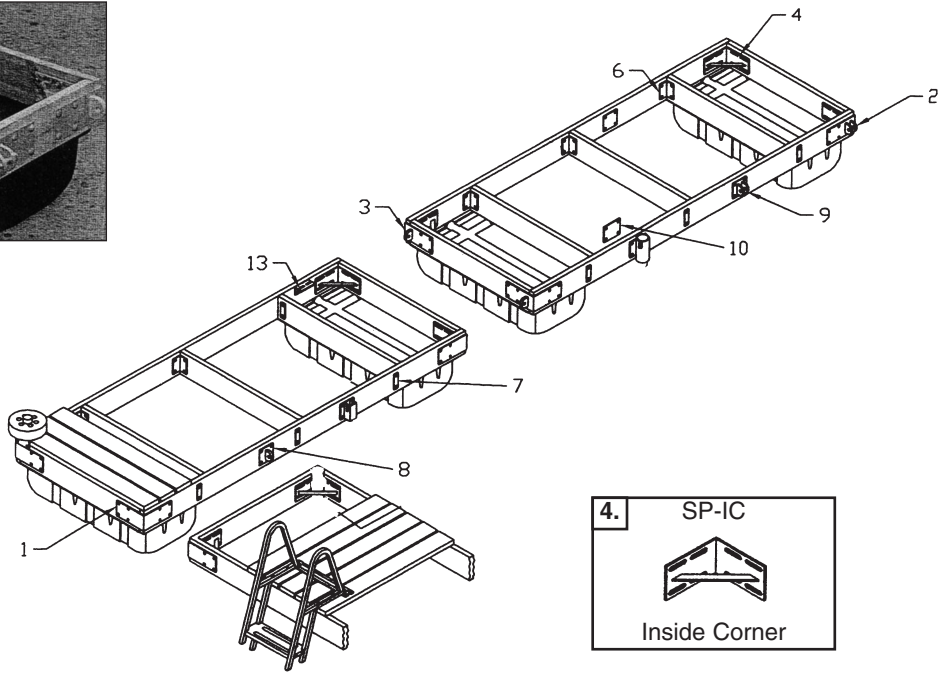
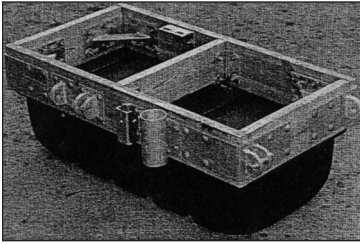


**Heavy Duty Wood Dock And Deck Hardware**



**1. SP-EC**  
 Outside Corner End

**2. SP-FC**  
 Outside Corner Female

**3. SP-MC**  
 Outside Corner Male

**4. SP-IC**  
 Inside Corner

**6. SP-FA**  
 Angle

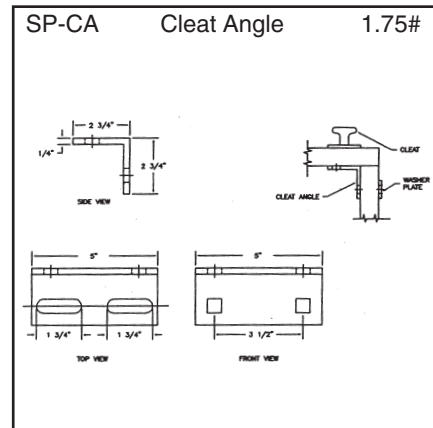
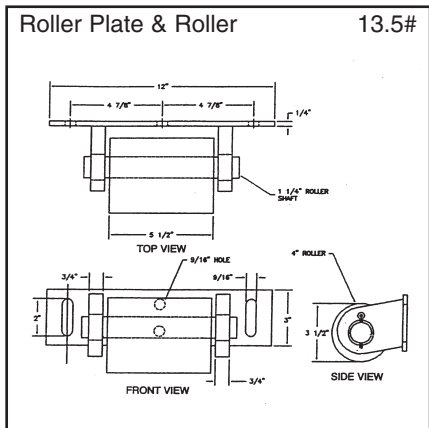
**7. SP-W**  
 Washer Plate

**8. SP-MP**  
 Single "T" Male

**9. SP-FP**  
 Single "T" Female

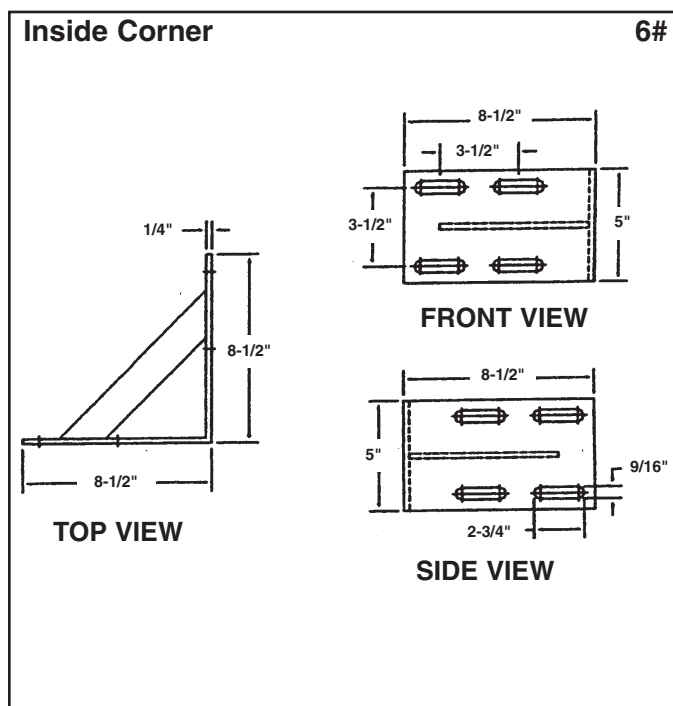
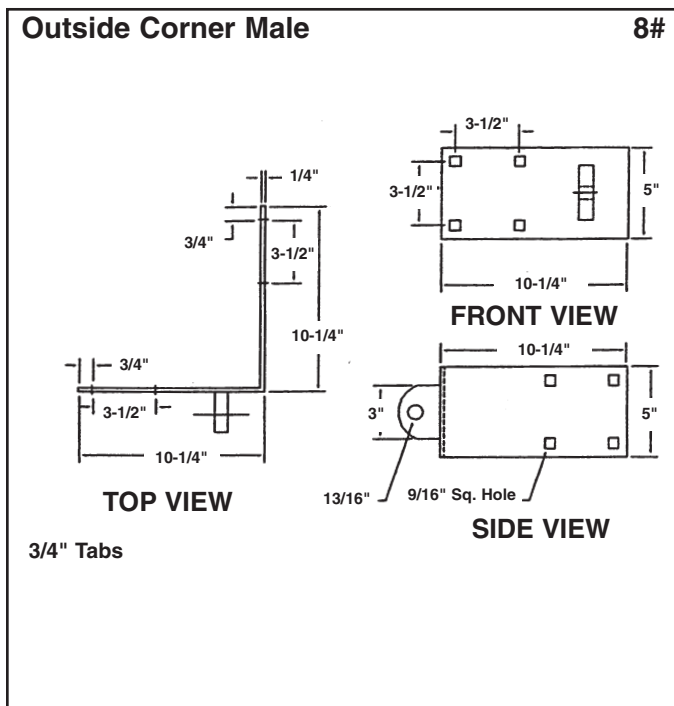
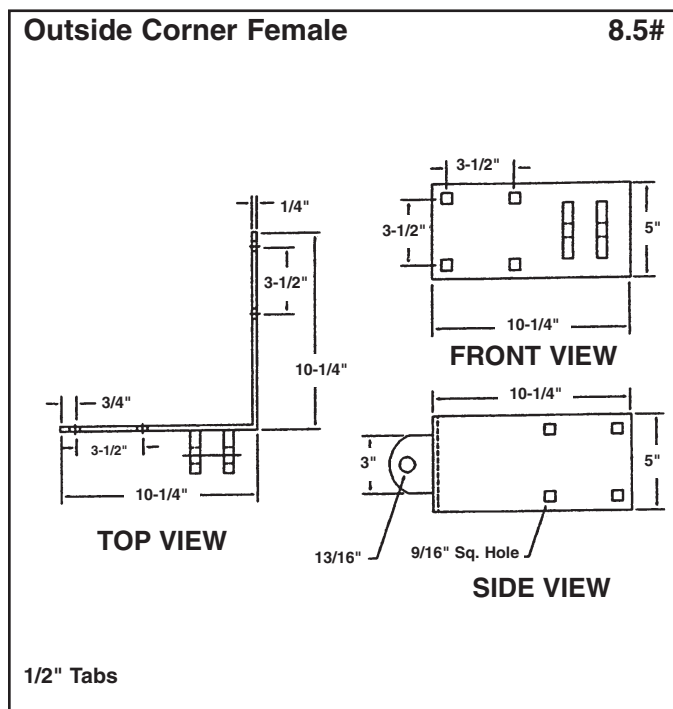
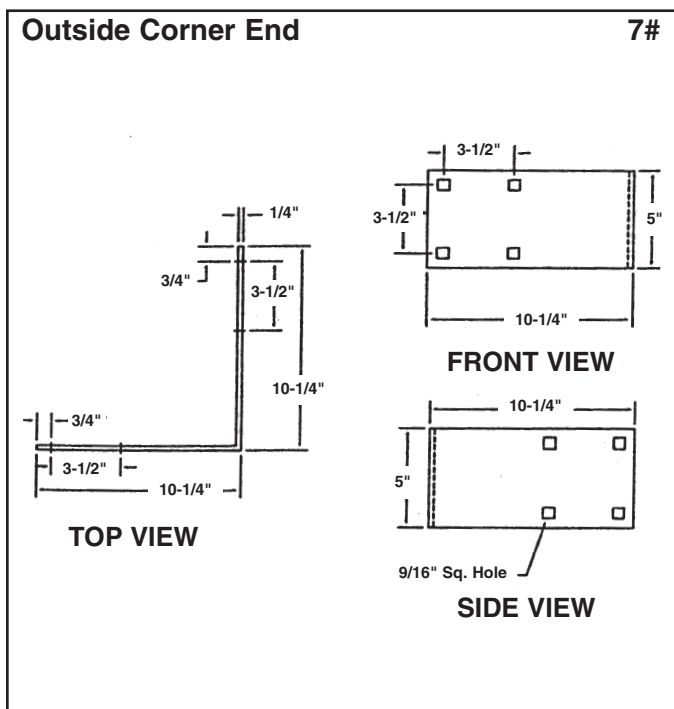
**10. SP-B**  
 Back-Up Plate

**13. SP-CA**  
 Cleat Angle





## Heavy Duty Wood Dock And Deck Hardware

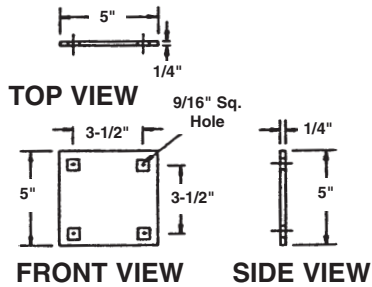




## Heavy Duty Wood Dock And Deck Hardware

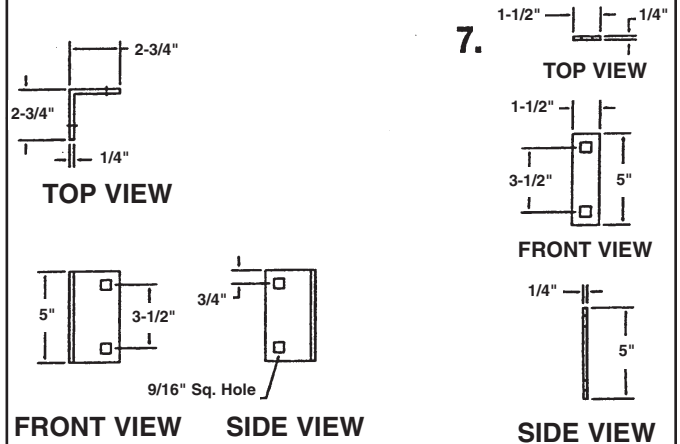
Back-Up Plate

1.75#



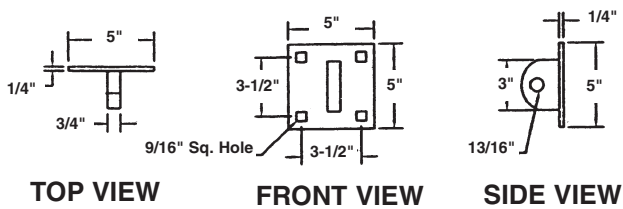
Angle Washer Plate

1.75#  
.5#



Single "T" Male

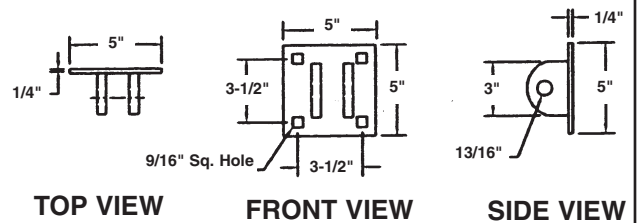
3#



3/4" Tab

Single "T" Female

3.5#



1/2" Tab